

Travelmaster™ Portable Acoustical Shell



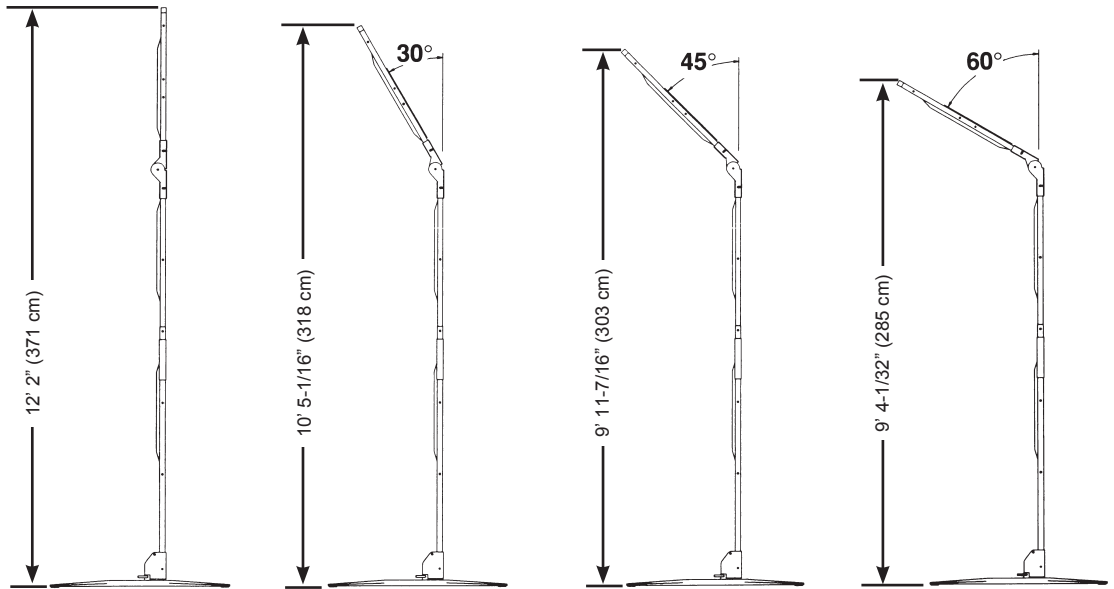
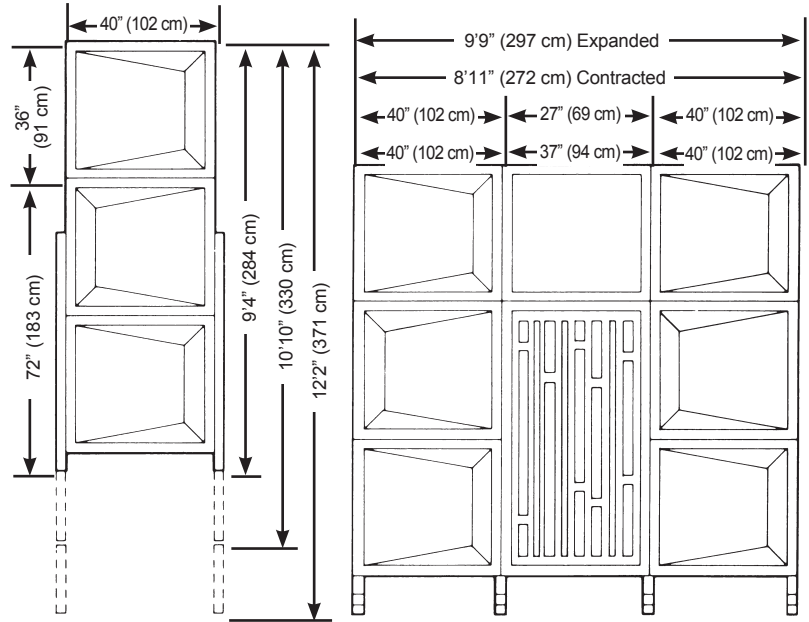
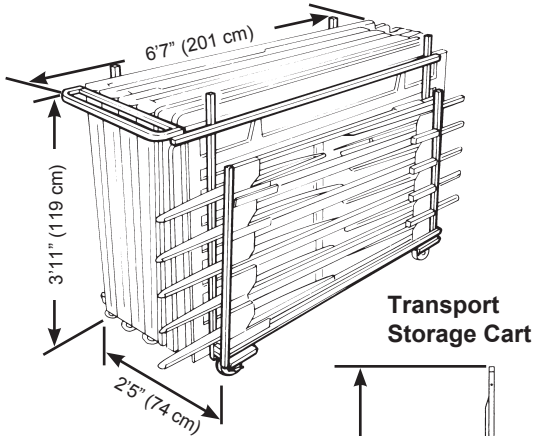
Your Performance Partner

- Standard: L015 87 lbs. (39 kg) Filler: L035 20 lbs. (9 kg).
- Panels are designed to control and reflect vocal and instrumental frequencies.
- Shell panels are constructed of contoured ABS plastic in oyster color.
- Shell consists of standard panels with legs and filler panels.
- Shells can be adjusted from heights of: 9'4" to 12'2" (284cm to 371 cm).
- Durable lightweight Travelmaster Shell units are easy to setup and compact to store. Ideal for traveling.
- Features adjustable canopy for fine tuning.
- Patented.
- Environmental attributes and LEED compliance for this product can be found at www.wengercorp.com/GREEN or by contacting your Wenger representative.
- Five-year warranty.

Travelmaster Shell Accessories

Storage Cart

- 064A170 75 lbs (34 kg).
- Transport Storage Cart holds five standard panels, four fillers and legs.
- When filled, cart dimension is 6'7" long x 2'5" wide x 4'11" high (201 x 74 x 150 cm) of storage space.



© 2017 Wenger Corporation
USA/2017-01/W



WENGER CORPORATION

Phone 800.4WENGER (493-6437) Worldwide 1.507.455.4100 | Fax 507.455.4258 Worldwide 1.507.774.8576
Parts & Service 800.887.7145 | Canada Office 800.268.0148 | Web wengercorp.com | 555 Park Drive, PO Box 448 | Owatonna | MN 55060-0448

GEARBOSS

Phone 800.493.6437 | email gearboss@wengercorp.com | Web gearboss.com | 555 Park Drive, PO Box 448 | Owatonna | MN 55060-0448

JR CLANCY

Phone 800-836-1885 Worldwide 1.315.451.3440 | Fax 877.836.1885 Worldwide 1.315.451.1766 | Web jrclancy.com
7041 Interstate Island Road | Syracuse | NY 13209-9713